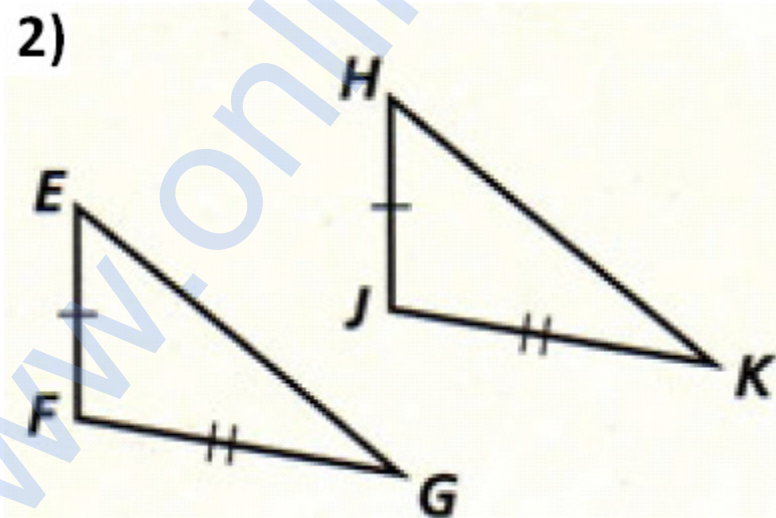
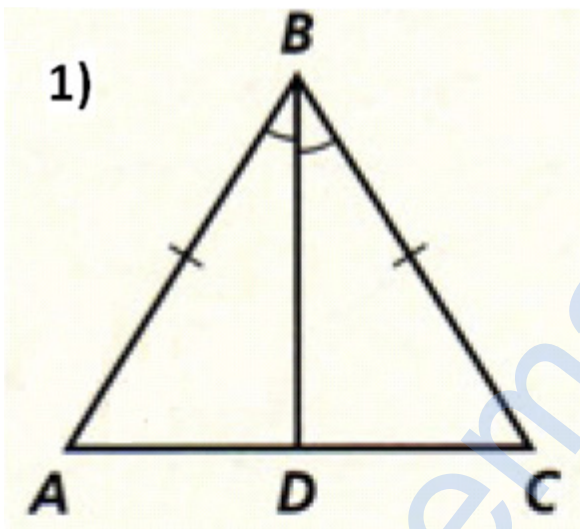
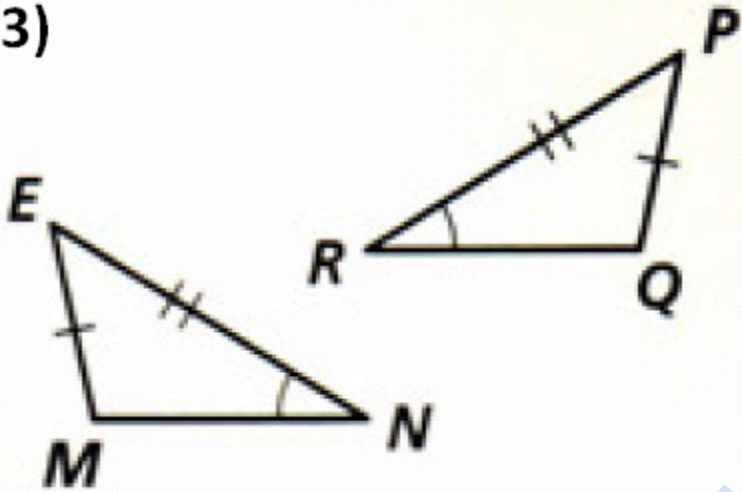


Problems on congruent triangles

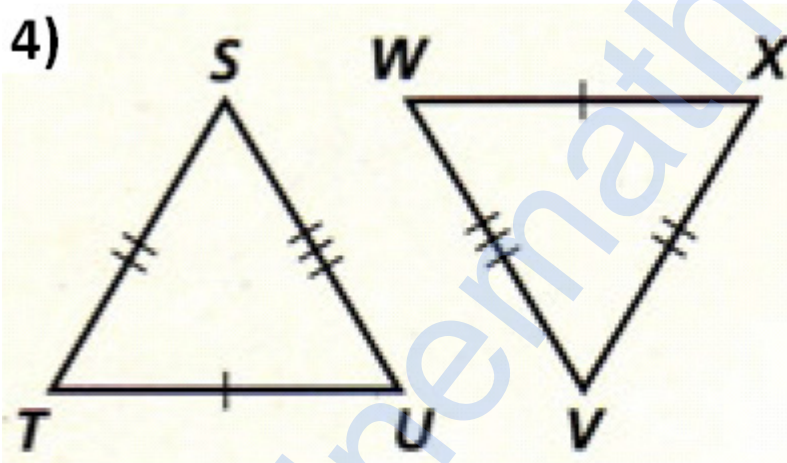
Check whether given triangles are congruent or not



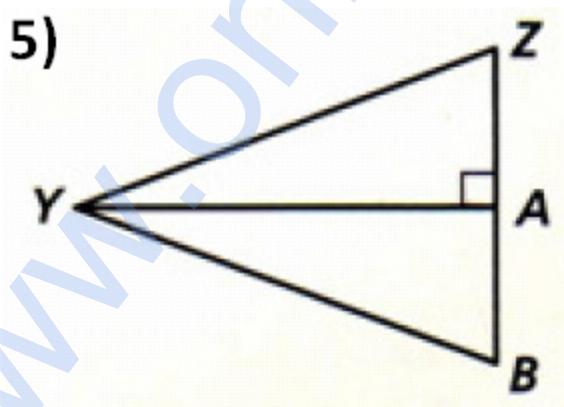
3)

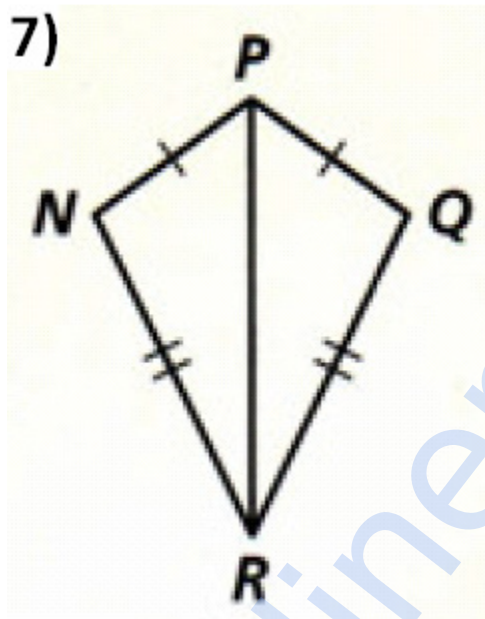
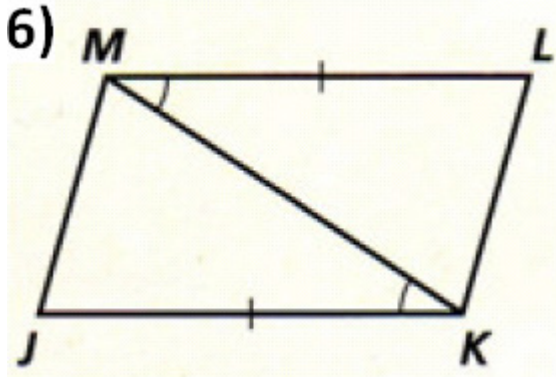


4)

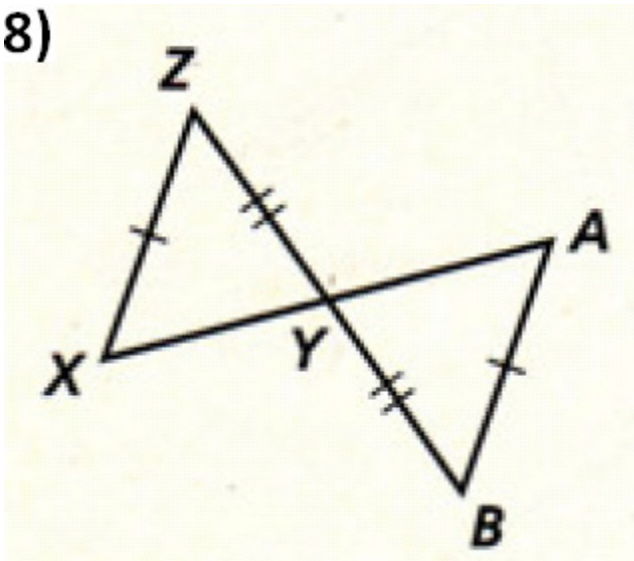


5)

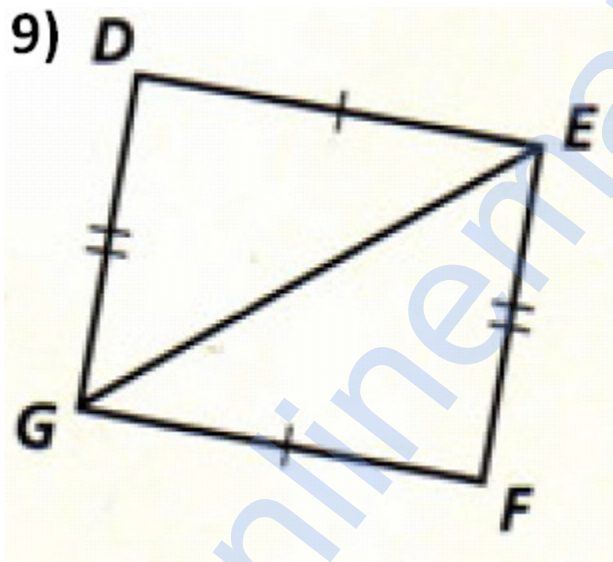




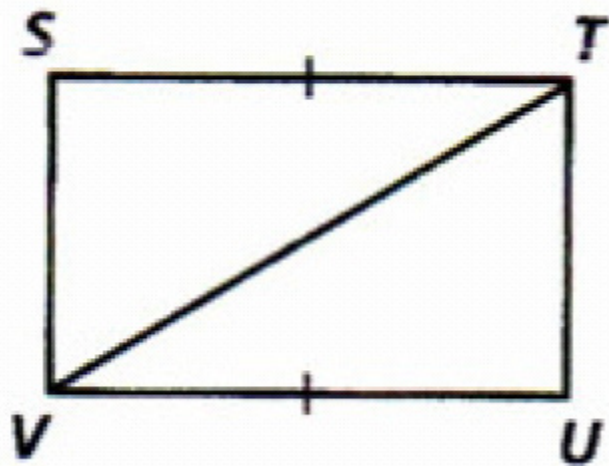
8)



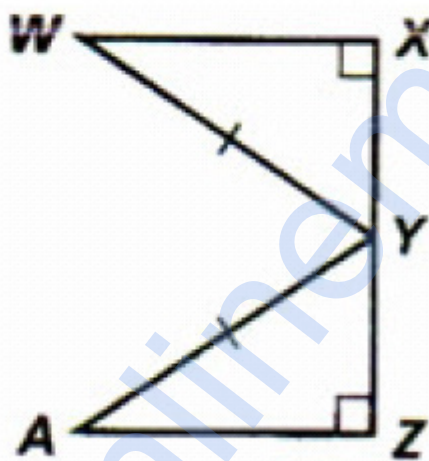
9)



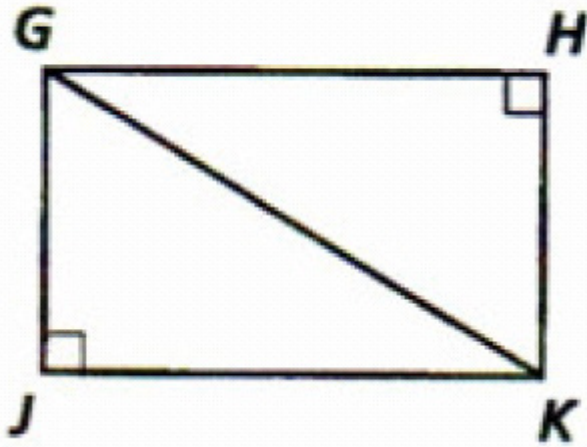
10)



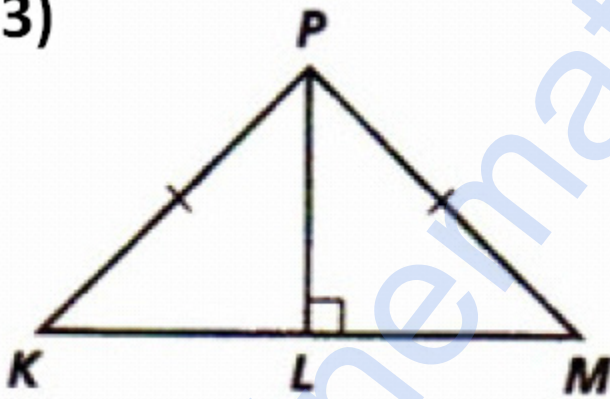
11)



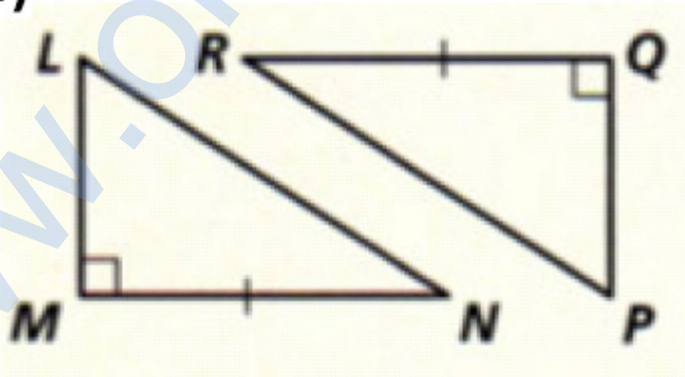
12)



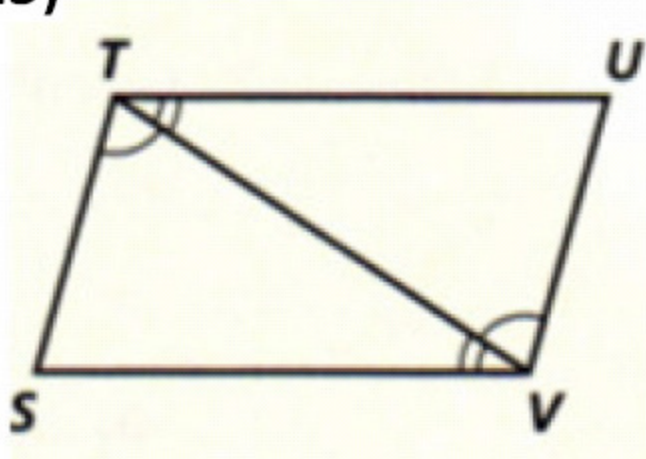
13)



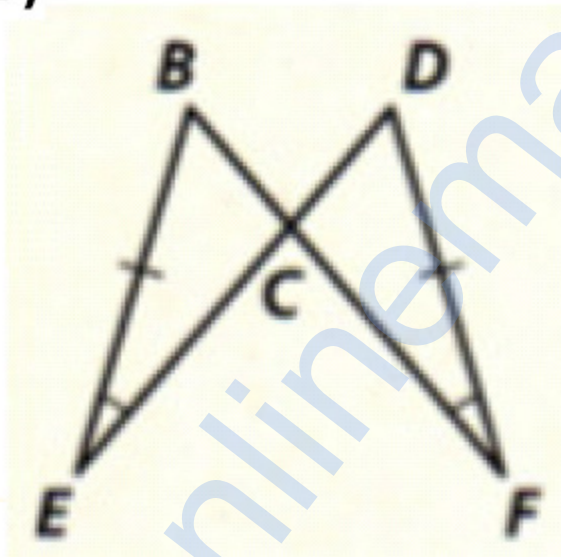
14)



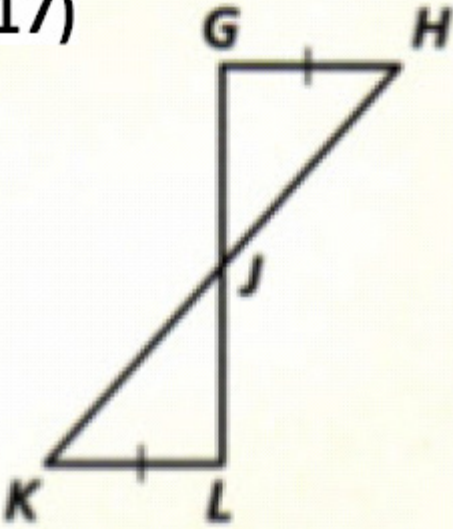
15)



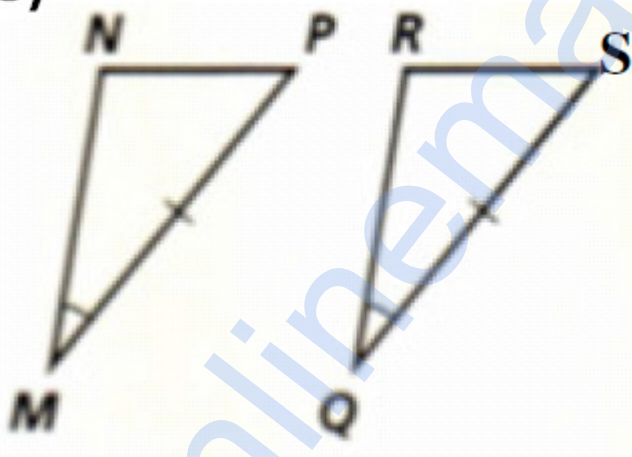
16)



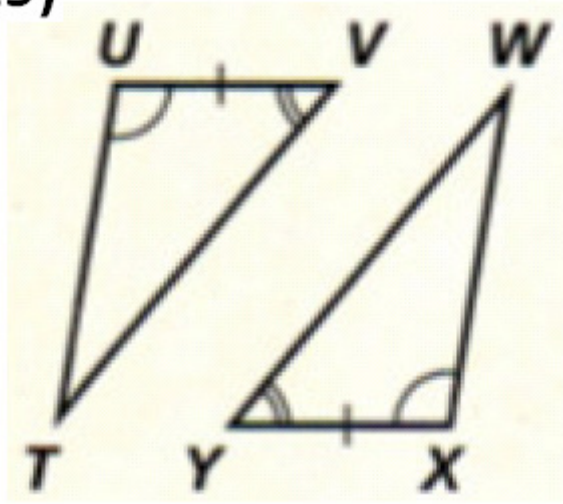
17)



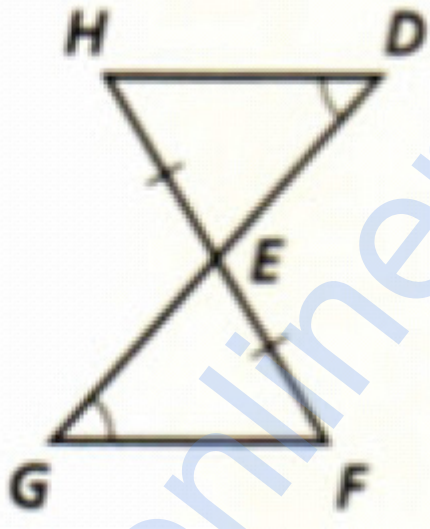
18)



19)



20)



Answers:

- 1) CONGRUENT (SAS)
- 2) INSUFFICIENT DATA
- 3) NOT CONGRUENT (ASS)
- 4) CONGRUENT (SSS)
- 5) INSUFFICIENT DATA
- 6) CONGRUENT (SAS)
- 7) CONGRUENT (SSS)
- 8) NOT CONGRUENT (ASS)
- 9) CONGRUENT (SSS)
- 10) INSUFFICIENT DATA
- 11) INSUFFICIENT DATA

- 12) INSUFFICIENT DATA
- 13) NOT CONGRUENT (ASS)
- 14) INSUFFICIENT DATA
- 15) CONGRUENT (ASA)
- 16) CONGRUENT (AAS)
- 17) INSUFFICIENT DATA
- 18) INSUFFICIENT DATA
- 19) CONGRUENT (ASA)
- 20) CONGRUENT (AAS)

If you need step by step solution for the above problems, please click on the below link or copy and paste the link on your browser.

<http://www.onlinemath4all.com/congruent-triangles-worksheet-with-answer.html>